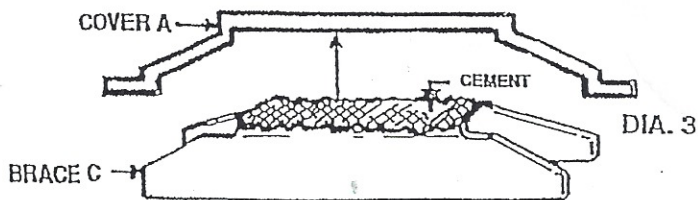
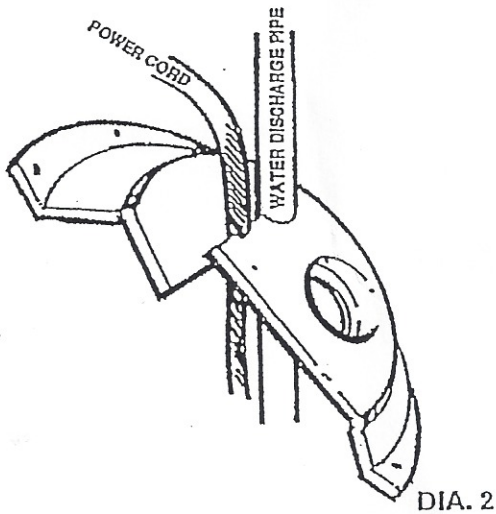
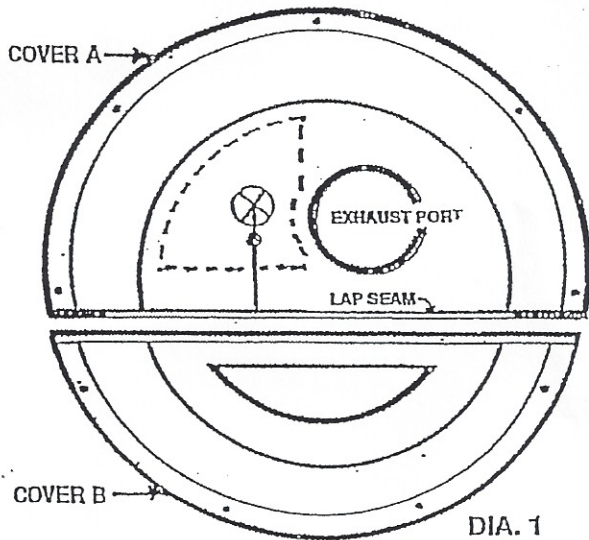


SUMP PUMP COVER INSTALLATION INSTRUCTIONS



CAUTION: When working near sump pump ALWAYS DISCONNECT POWER SUPPLY

Notice the location of Brace "C" before removing tape, follow STEP 5 carefully to insure proper fit.

- STEP 1** Locate sump pump water discharge pipe and mark position on COVER "A" within the dotted area (see Diagram 1). Then drill or saw proper size hole. Stay at least 2" away from lap seam.
- STEP 2** Drill a small hole for power cord approximately 1/2" away from first hole (shown in DIAGRAM 1).
- STEP 3** Use thin blade (hacksaw) to saw a line from lap seam straight through power line hole to discharge pipe hole.
- STEP 4** Spread and twist cover over pipe and wire as shown in DIAGRAM 2.
- STEP 5** Apply 3-Way or multi-purpose cement flat of BRACE "C". (See DIAGRAM 3) Place brace under COVER "A" with longest side of brace fitted into contour of the lap seam. **IMPORTANT:** Be sure to hold brace support in place firmly until cement dries (4-5 minutes):
- STEP 6** Attach COVER "A" to floor with screws or bolts (1/8" diameter or less). **DO NOT OVERTIGHTEN.**
- STEP 7** Over lap COVER "B" with COVER "A" at seam. Attach to floor as in STEP 6.
- STEP 8** Hook up vent pipe as needed using Schedule 40 PVC and cement.