

HP 2190Q

Leak-free Inline Radon Fan

- Tuned performance for quiet operation
- UV resistant, UL Listed durable plastic
- UL Listed for outdoor use
- Automatic reset thermal overload protection
- Vibration welded seam ensures leak proof housing

Application

HP 2190Q fan is an excellent choice for systems with elevated radon levels, poor communication, multiple suction points and large subslab footprint.

Design

The HP2190Q has been factory tuned for quieter operation and features a fully sealed plastic housing. The housing is joined via a vibration welding process. The process uses transverse, reciprocating motion under pressure at the point of contact between the housing's inlet and outlet pieces. The friction produces heat that melts the thermoplastic material at the interface. The melted material quickly re-solidifies, resulting in a fused, single-piece housing. The fused seam is inherently air tight, very strong and permanent. No screws or adhesive is used to join the housing pieces. An air-tight fan ensures that efficiency is not lost and contaminants are not spilled due to leakage.

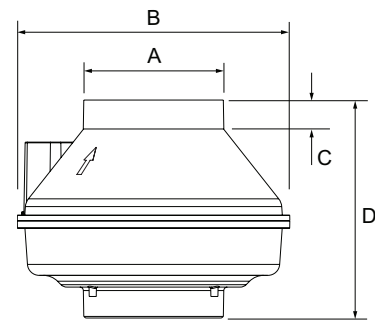
The fan can be mounted both indoor, outdoor and in wet locations. These fans feature external rotor motors that have proven dependable year after year.

A large electrical wiring enclosure is designed into the fan housing, making electrical installation easier. Thermal overload protected with automatic reset.

How it works

Active radon mitigation systems employ specialized fans to exhaust radon gas from underneath building structures via a sealed pipe system. Such systems are designed to remove radon gas before it migrates to a building's interior.

Certification



Model	A	B	C	D
HP 2190Q	4 15/32	10	1 1/4	9 1/4

Dimensional information is in inches.

Note: Flanges extend $7/8$ beyond the A dimension.

Model	Duct size	Rated power	Voltage / phase	Max. amps	0.5" P _s	1.0" P _s	1.25" P _s	1.5" P _s	1.75" P _s	Max P _s	Shipping weight	Item #
	inch	W	V / ~	A						in.wg	lbs	
HP 2190Q	4 1/2	58	120 / 1	0.59	123	83	64	43	20	1.97	7	95945

The performance shown in this brochure is representative of the actual test results recorded at Texas Engineering Experiment Station/Energy Systems Lab, a recognized testing authority for HVI. Testing was done in accordance with HVI 916 Test Procedures. Dimensions are shown in inches.



Customer Support:

800.747.1762 • USsupport@fantech.net



fantech[®]
a systemair company